

RIDGE

EG6010 - RIDGE

EG6020 - RIDGE - PURLIN INSULATION PAN

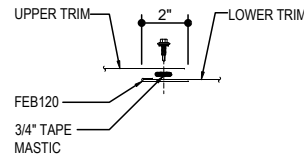
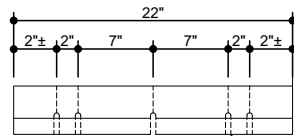
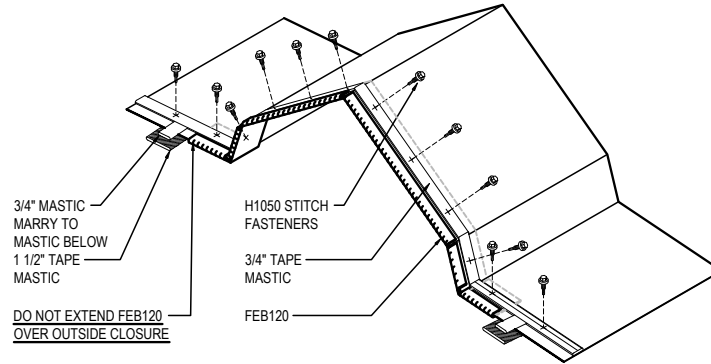
EG6030 - RIDGE - JOIST INSULATION PAN

EG6010 - RIDGE

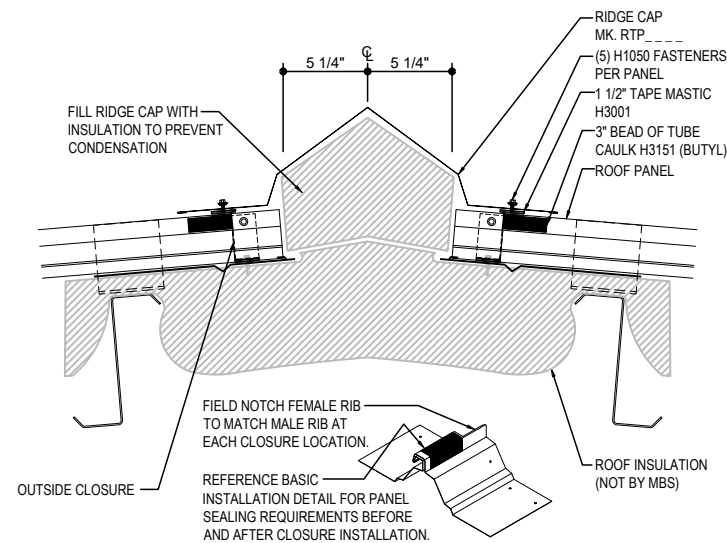
[Download the DWG file by clicking here.](#)

RIDGE CAP LAP & FLASHING BACKER

SLIDE FIELD CUT SECTION FLASHING ENDLAP BACKER ONTO THE LOWER TRIM PIECE. PLACE TAPE MASTIC NEXT TO HEM OF THE BACKER (NOT ON TOP OF HEM). MARRY LAP MASTIC WITH MASTIC BETWEEN RIDGE CAP AND OUTSIDE CLOSURES.



FLASHING ENDLAP BACKER
FIELD CUT FROM STANDARD FEB120



RIDGE TRIM DETAIL
RIDGE TRIM DETAIL

EG6010

Detailer Notes:

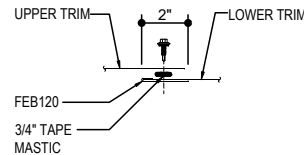
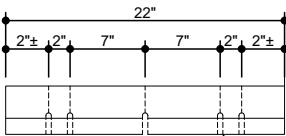
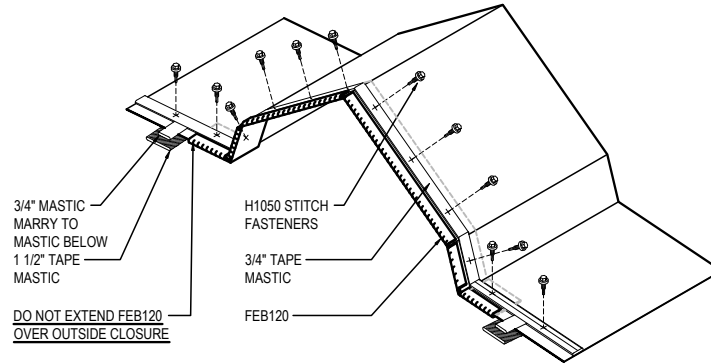
- 1) N/A

EG6020 - RIDGE - PURLIN INSULATION PAN

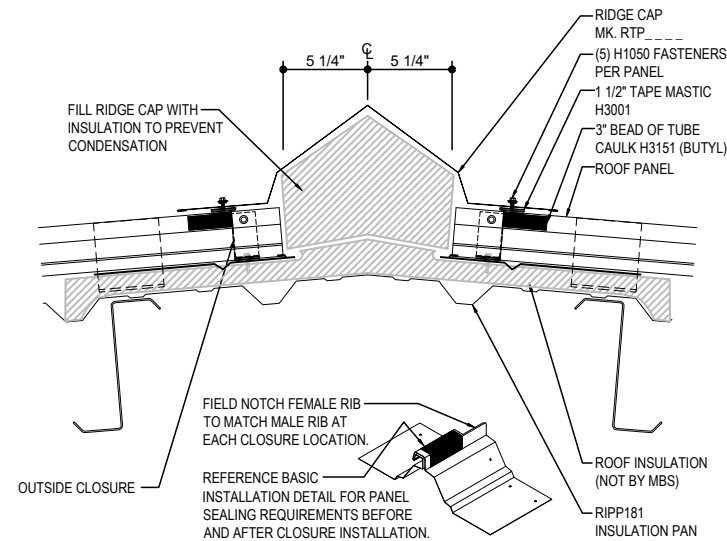
[Download the DWG file by clicking here.](#)

RIDGE CAP LAP & FLASHING BACKER

SLIDE FIELD CUT SECTION FLASHING ENDLAP BACKER ONTO THE LOWER TRIM PIECE. PLACE TAPE MASTIC NEXT TO HEM OF THE BACKER (NOT ON TOP OF HEM). MARRY LAP MASTIC WITH MASTIC BETWEEN RIDGE CAP AND OUTSIDE CLOSURES.



FLASHING ENDLAP BACKER
FIELD CUT FROM STANDARD FEB120



RIDGE TRIM DETAIL
RIDGE TRIM DETAIL

EG6020

Detailer Notes:

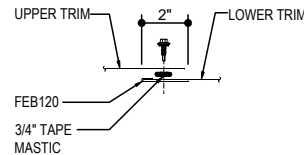
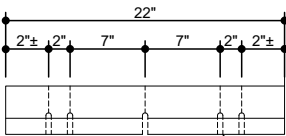
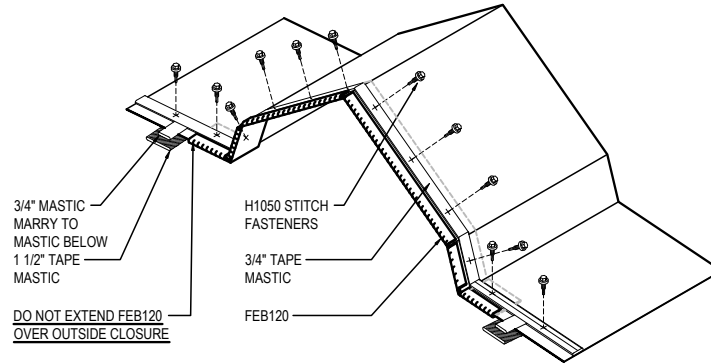
- 1) N/A

EG6030 - RIDGE - JOIST INSULATION PAN

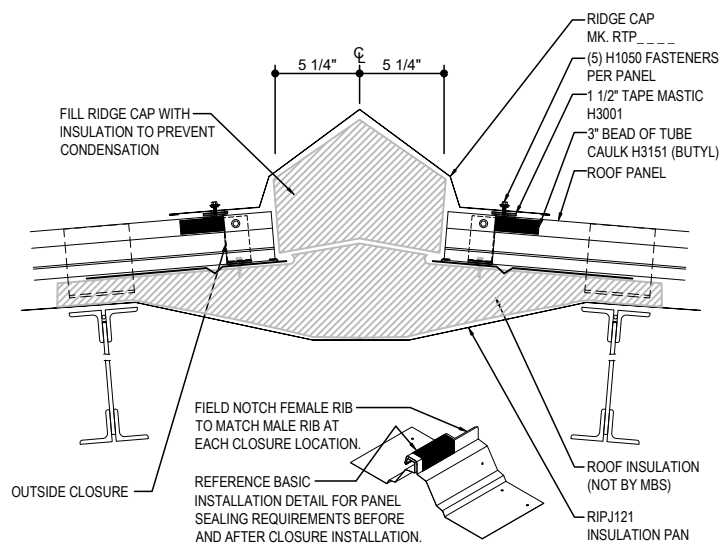
[Download the DWG file by clicking here.](#)

RIDGE CAP LAP & FLASHING BACKER

SLIDE FIELD CUT SECTION FLASHING ENDLAP BACKER ONTO THE LOWER TRIM PIECE. PLACE TAPE MASTIC NEXT TO HEM OF THE BACKER (NOT ON TOP OF HEM). MARRY LAP MASTIC WITH MASTIC BETWEEN RIDGE CAP AND OUTSIDE CLOSURES.



FLASHING ENDLAP BACKER
FIELD CUT FROM STANDARD FEB120



RIDGE TRIM DETAIL
RIDGE TRIM DETAIL

EG6030

Detailer Notes:

- 1) N/A